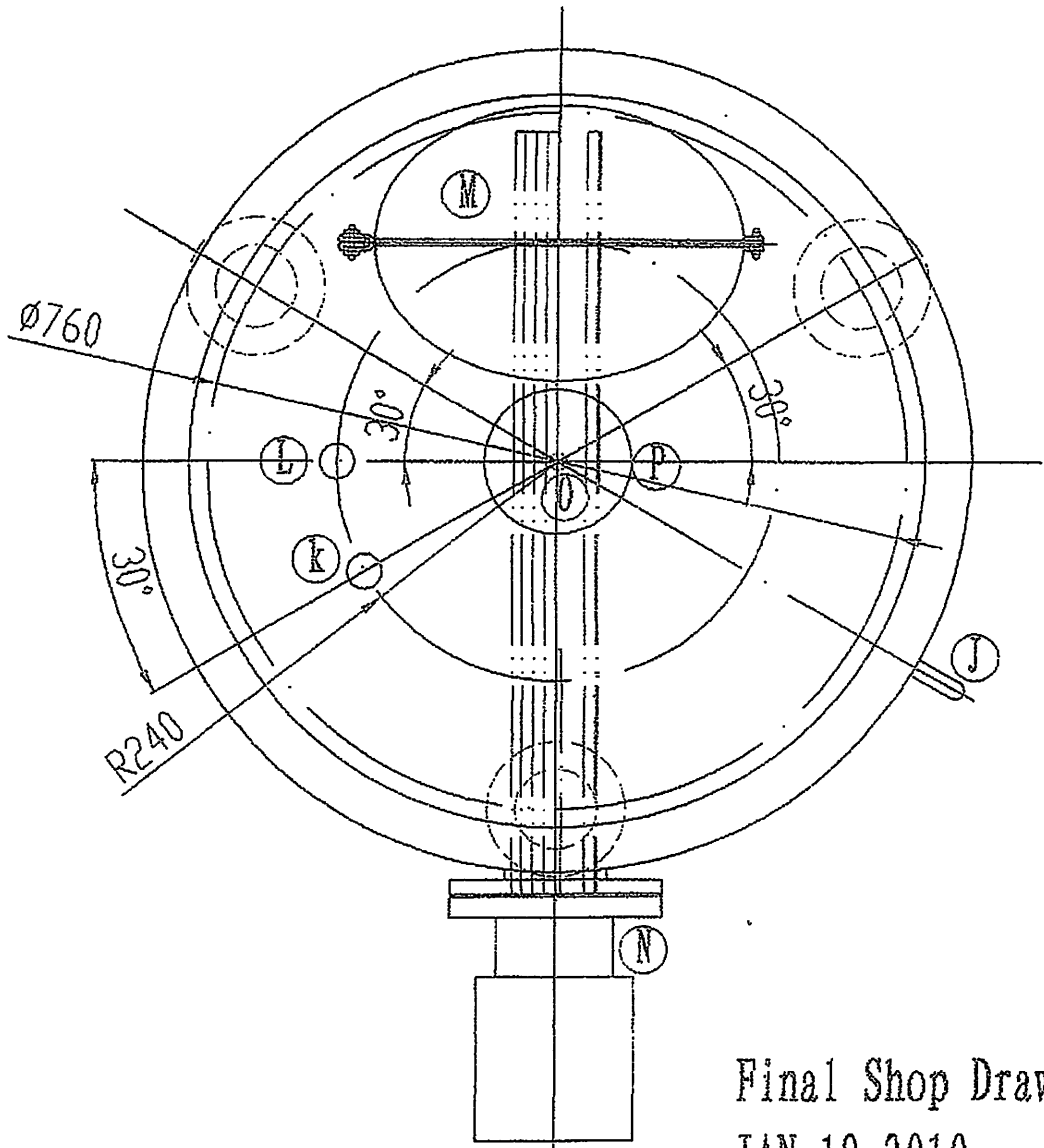


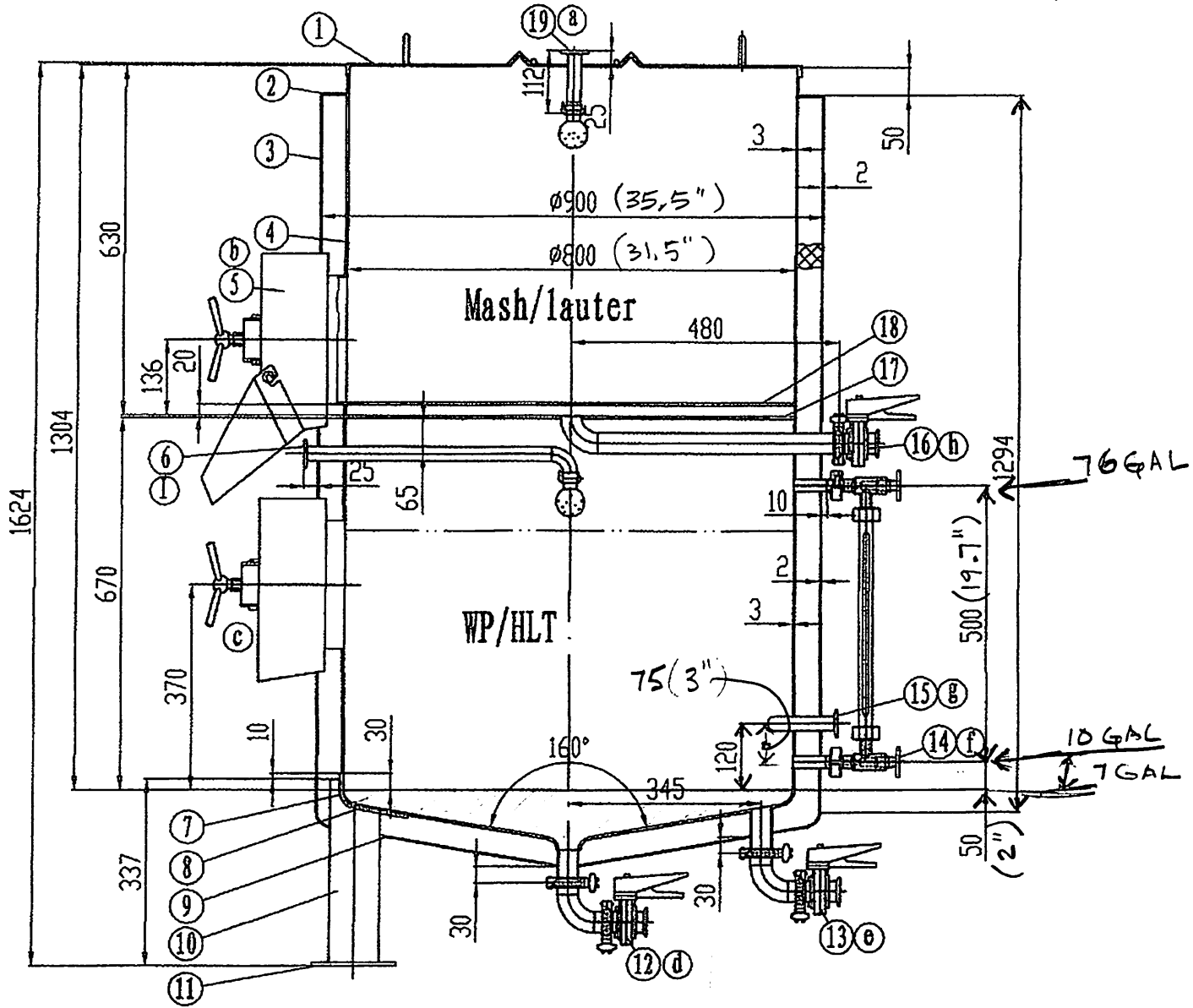
BREW KETTLE
TOP VIEW



2bb1 Brew Kettle

Final Shop Drawing
JAN 19, 2010

COMBI-TANK SIDE VIEW
 MASH-LAUTER-WHIRLPOOL-
 HOT LIQUOR TANK



2bb1 ML/WP/HLT

Final Shop Drawing
 JAN 19, 2010

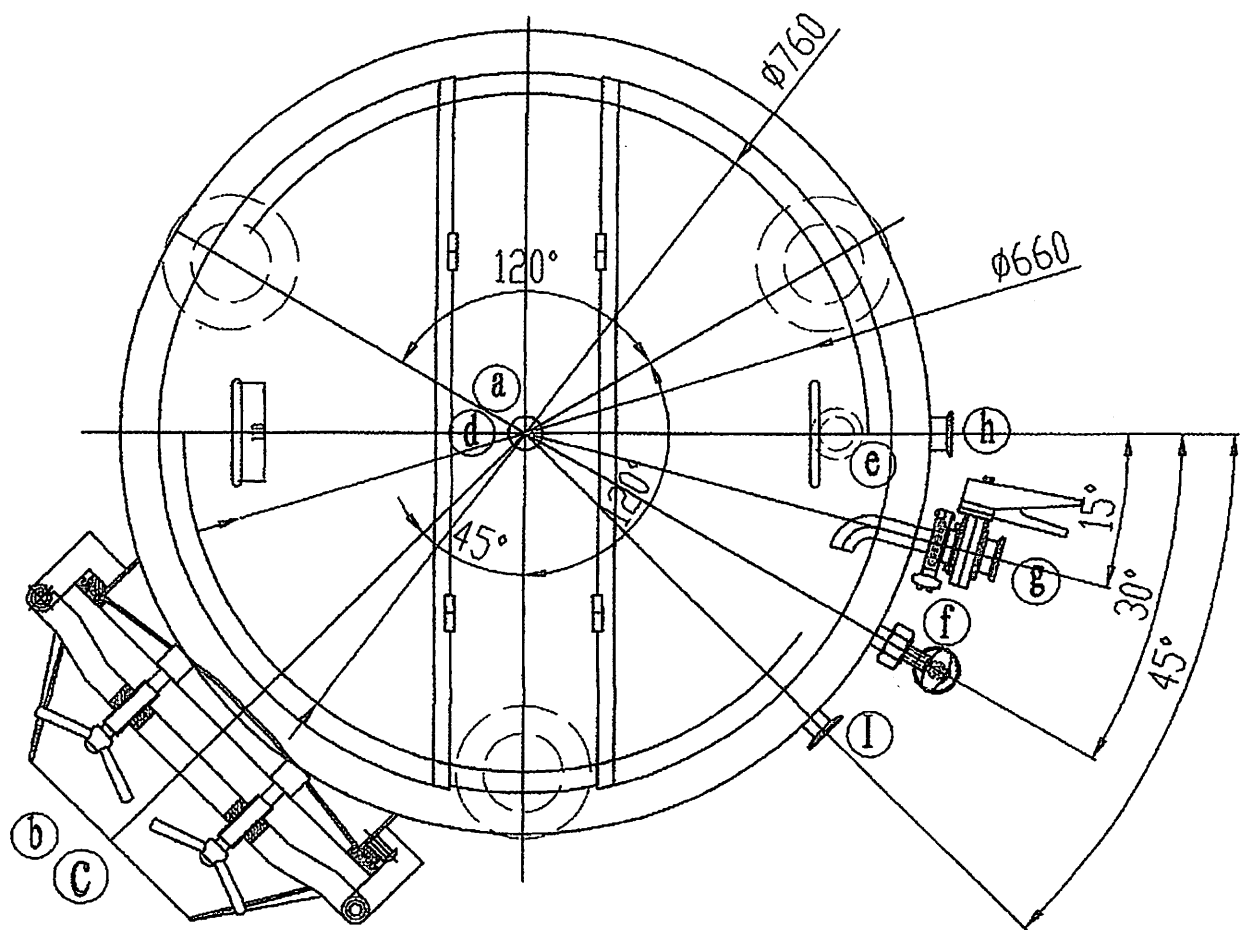
SCALE OF SIGHT-GLASS:
 3.4 GAL / INCH

VOLUME BETWEEN SIGHT-GLASS
 66 GAL (31.5" BY 19.7")

VOLUME BETWEEN "f" & "g"
 7 GAL (31.5" BY 3")

cone: (SHADED AREA)
 $R = 15.8"$, $H = 2"$ (523.4")
 GAL = 2.26 GAL

COMBI-TANK TOP VIEW
MASH-LAUTER-WHIRL-
POOL-HOT LIQUOR TANK



2bb1 ML/WP/HLT

Final Shop Drawing
JAN 19, 2010

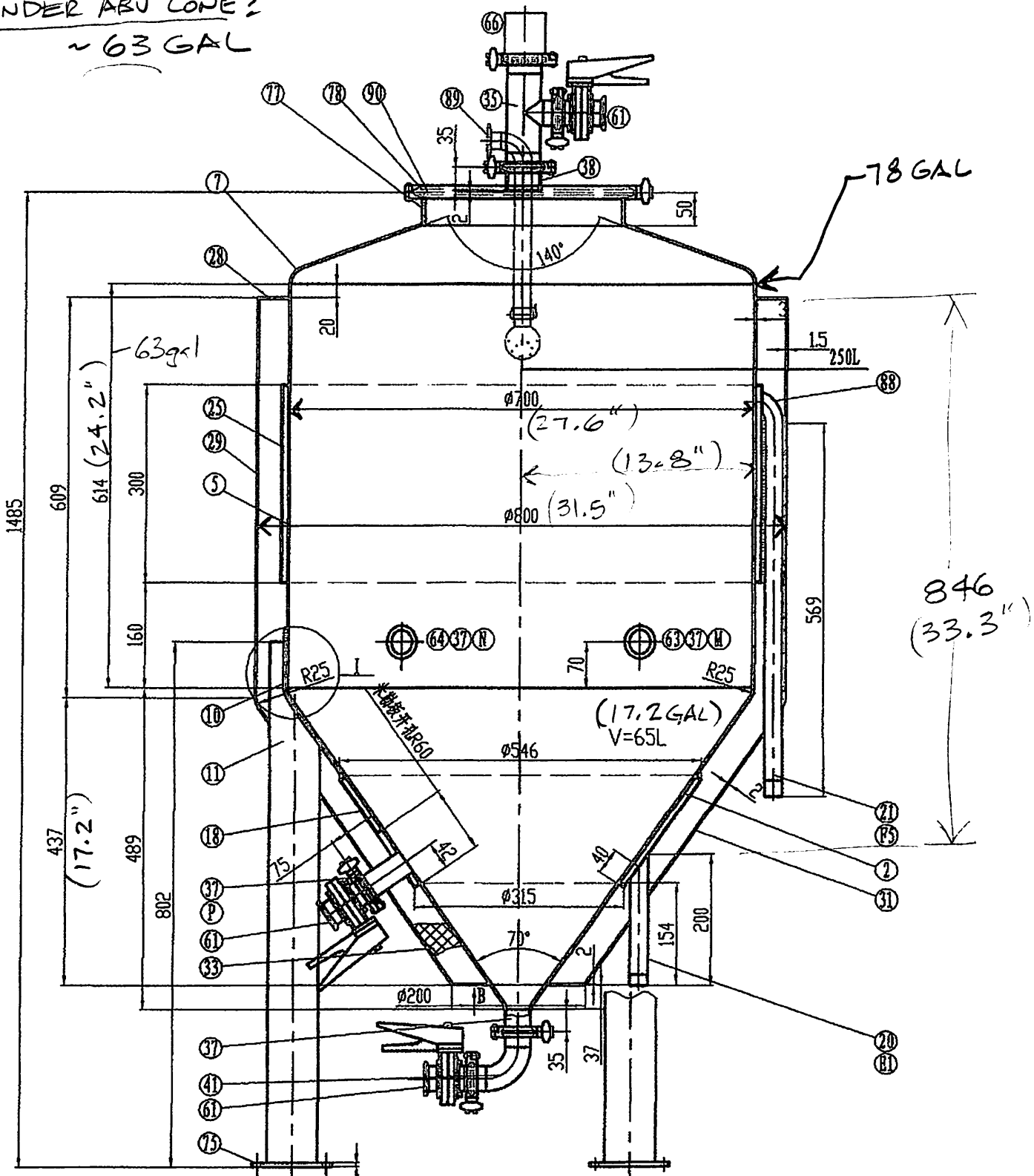
1. CONE:

3,430 CU IN. = ~15 GAL

CYLINDER ABOVE CONE:

~63 GAL

FERMENTER SIDE VIEW



78 GAL

63 gal

846
(33.3")

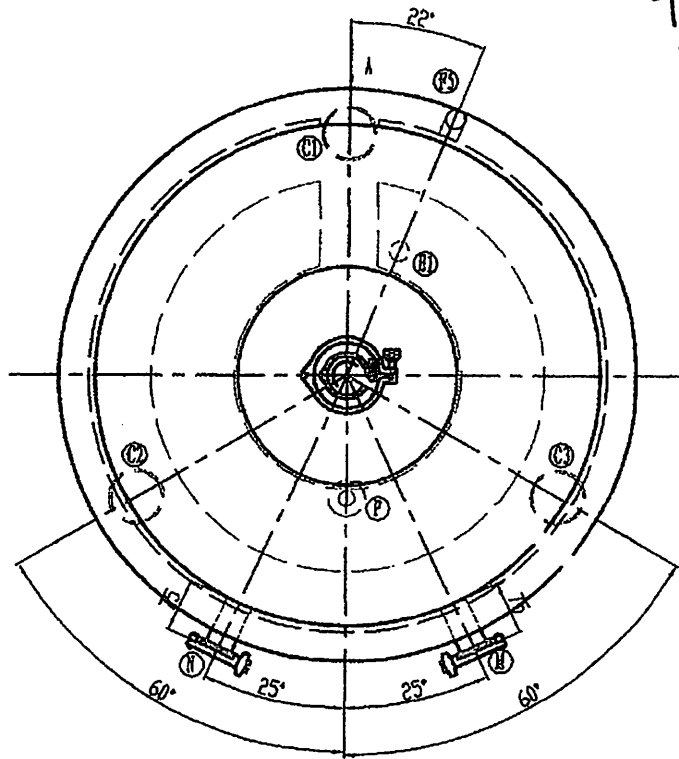
(17.2 GAL)
V=65L

net:250l=66.05Ga
gross:300l=79.26

Final Shop Drawing
JAN 19, 2010

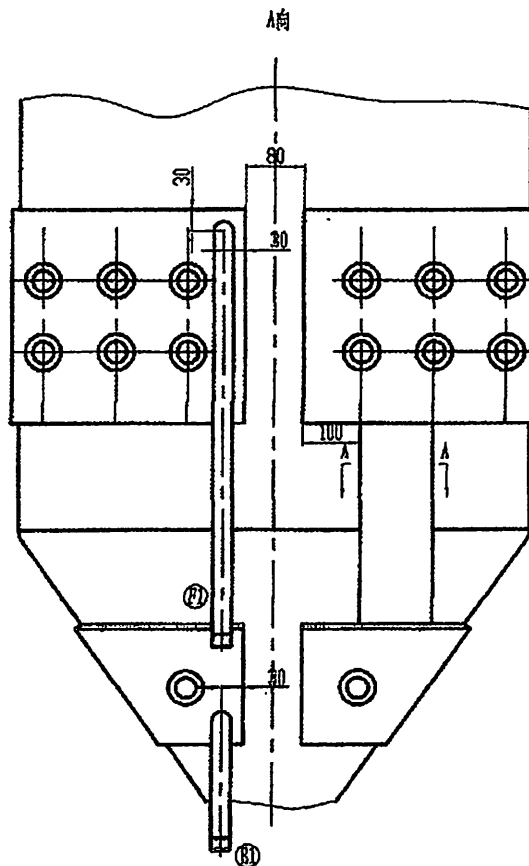
112 GAL
- 86 GAL
= 26 GAL ~ VOL OF JACKET

FERMENTER
TOP + JACKET
VIEW

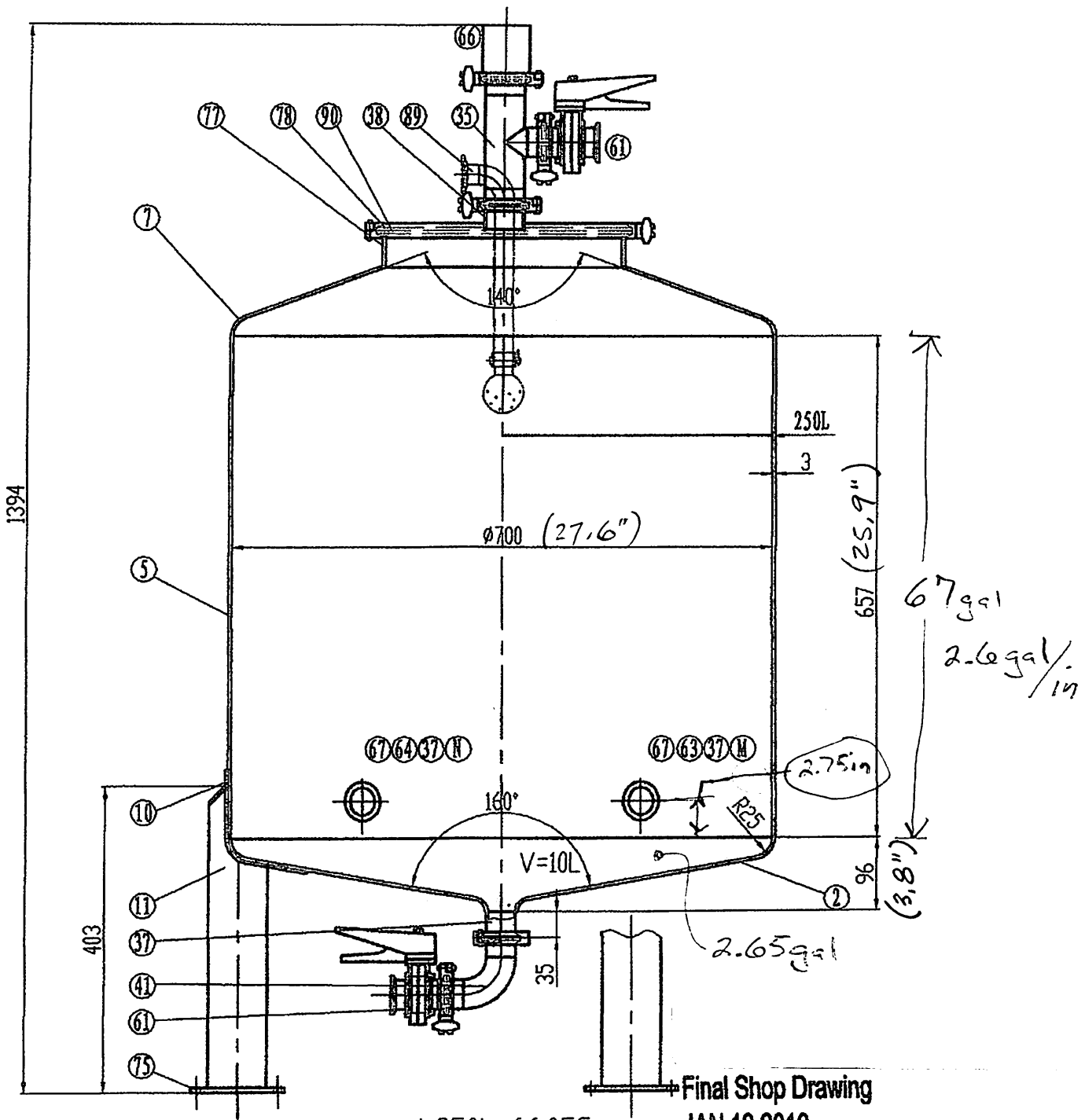


net:250l=66.05Ga
gross:300l=79.26

Final Shop Drawing
JAN 19, 2010

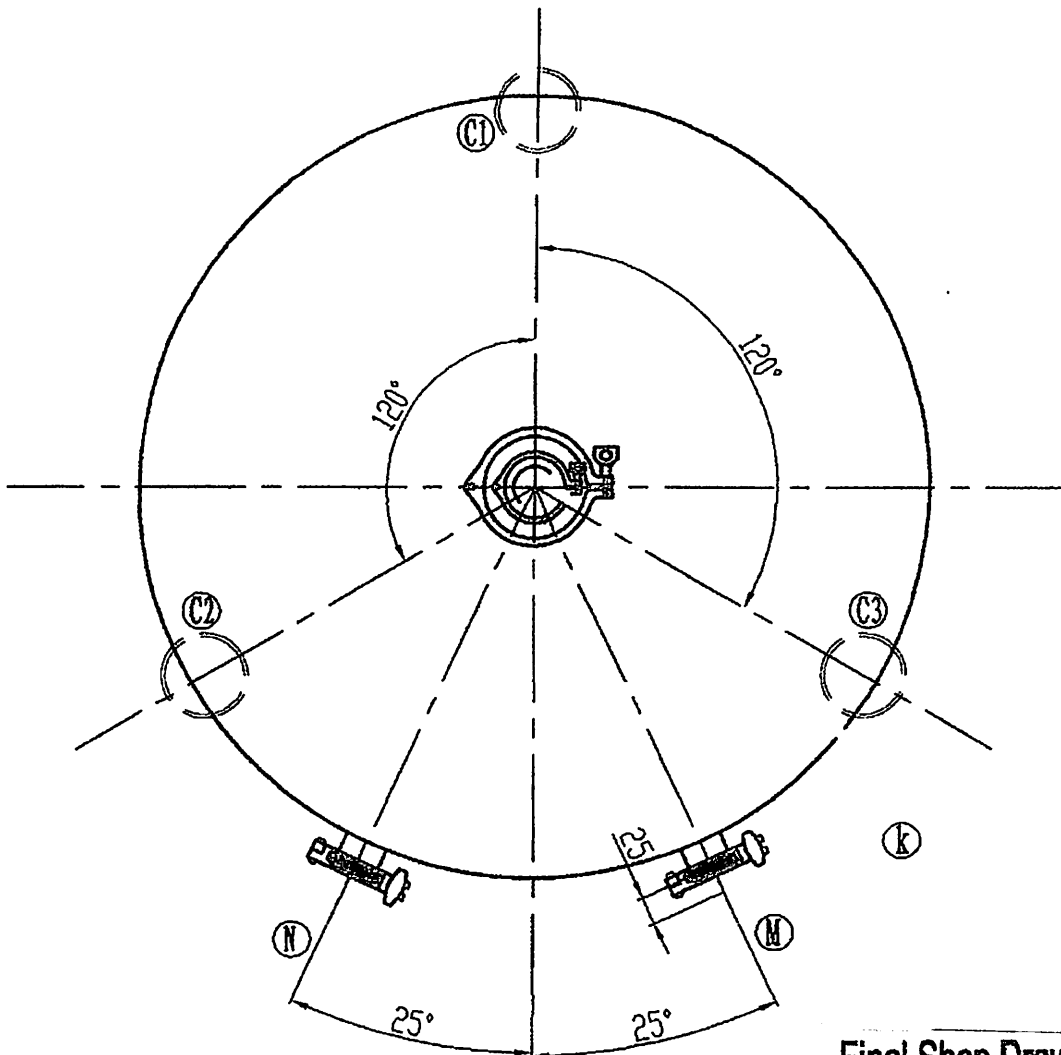


SERVING TANK SIDE VIEW



net: 250L = 66.05Ga
gross: 262.5L = 69.35Ga

SEAVING TANK
TOP VIEW



net:250L=66.05Ga
gross:262.5L=69.35Ga

Final Shop Drawing
JAN 19,2010